

Enercept Product Bulletin #5

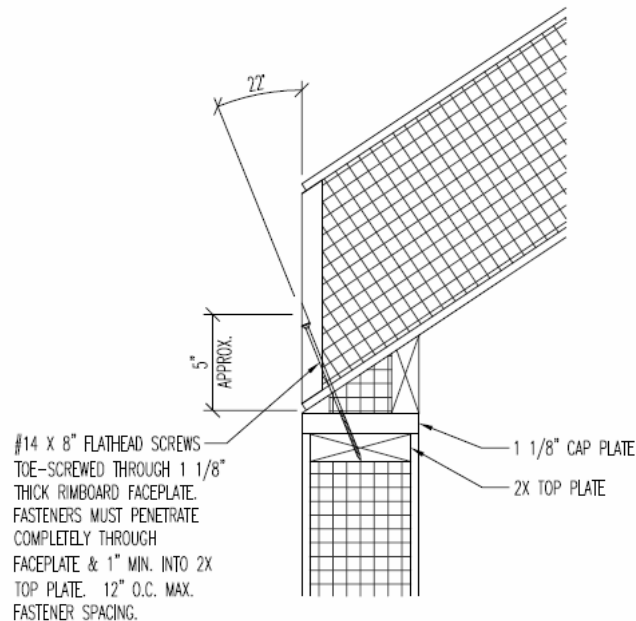
Created: 11/30/16



Roof Panel Attachment through Faceplate Installation:

Summary Description:

This bulletin reviews proper roof panel attachment when Enercept plumb-cut roof panels stop flush with the exterior sheathing of the Enercept wall panels. Standard pancake head SIP fasteners require the fastener to be installed perpendicular to the roof panel which causes the fastener to miss the top plate. The proper installation requires toe-screws into the face plate of the roof panel into the top plate.



Basis of Change:

When installing roof panels that stop flush with the exterior SIP wall panel, pancake head SIP fasteners require the fastener to be installed perpendicular to the roof panel which causes the fastener to miss the top plate. Enercept recommends toe-screwing the roof panels through the face plate material into the top plate material using #14 countersink screws (8" long minimum) installed at a 22° angle penetrating completely through the face plate of the roof panel, the cap plate of the wall, and extending 1" minimum into the top plate.

Cautionary Notes:

When this detail applies to your project, the cap plate shall be attached to the top plate with 16d nails at 16"o.c. maximum spacing. Cap plate & top plate splices must be staggered 48" minimum.